



DURO-LAST®

THE WORLD'S BEST ROOF®

TOOL CATALOG

*All The Tool Information
You Need To Properly
Sell and Install
Duro-Last® Roofing Systems.*





	QUICK-PULL® & PARTS	3
	MEMBRANE INSTALLATION TOOLS	6
	POWER HAND TOOLS & ACCESSORIES	8
	HOT AIR WELDING TOOLS	11
	HOT AIR WELDING TOOL ACCESSORIES	14
	RHINO BOND® & ACCESSORIES	16
	ADHERED ROOFING TOOLS	18
	MISCELLANEOUS TOOLS	21
	GENERATORS	24
	HELPFUL HINTS FOR OPERATING TOOLS ..	25

All brands of tools subject to change at any time without notice.

The Duro-Last Tool Catalog has been created to provide our contractors and sales representatives with an easy-to-use reference of the tools available through Duro-Last. With a description of each tool, along with a photo and item number, this catalog will come in handy when you need to order tools. In some cases, an installation photo is also included to show you how the tool is used. For pricing or questions concerning the Duro-Last Tool Catalog, please contact:

Phone 800.248.0280 | Web duro-last.com
Email sales@duro-last.com

THE QUICK-PULL

THE QUICK-PULL

Item #18011

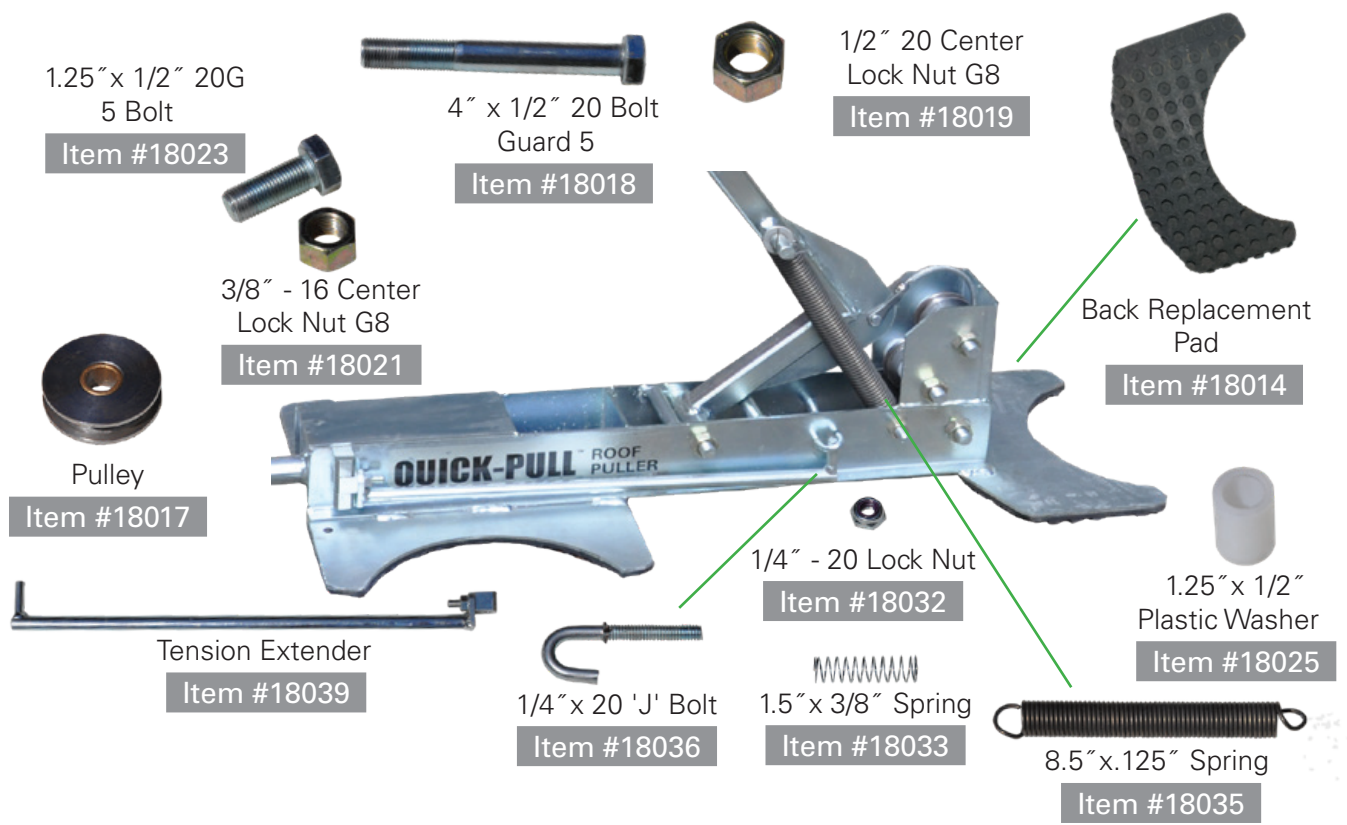
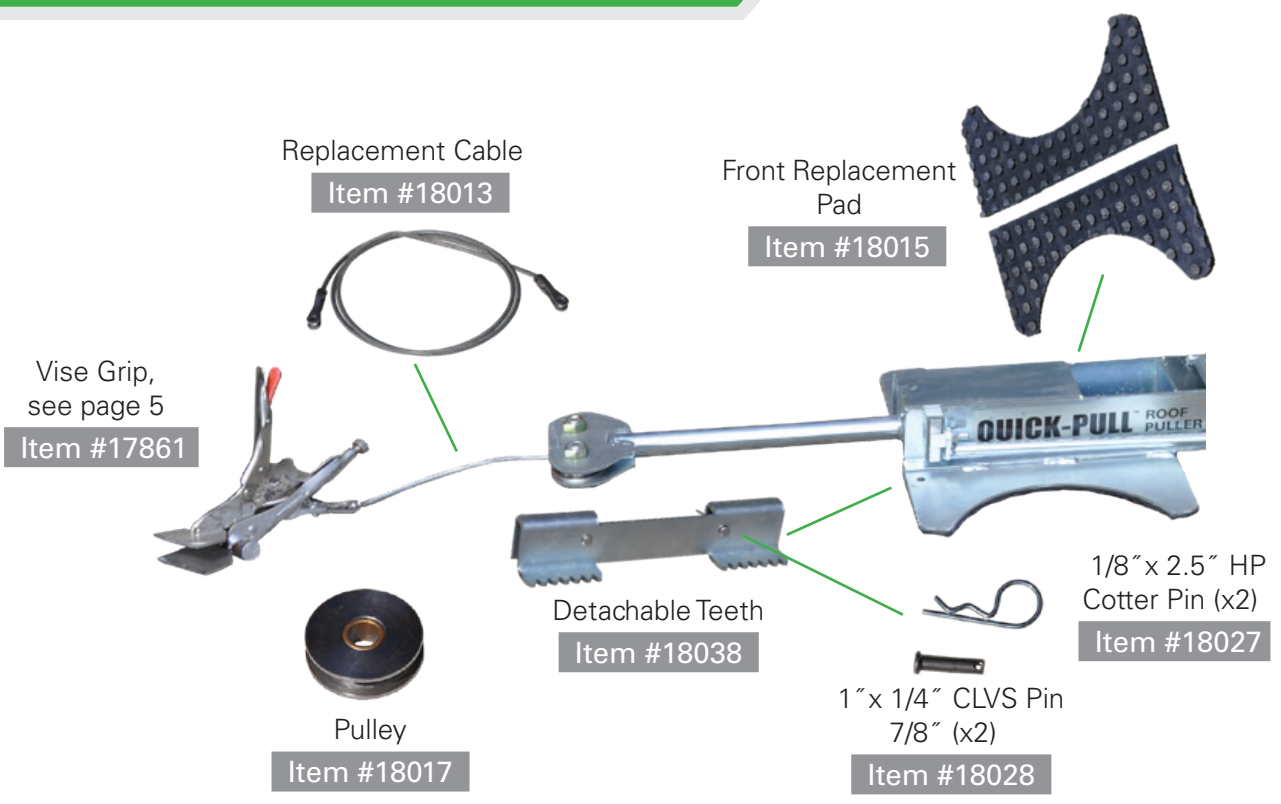
An installation tool used to align Duro-Last material properly and to assist in removing wrinkles from the deck sheet.

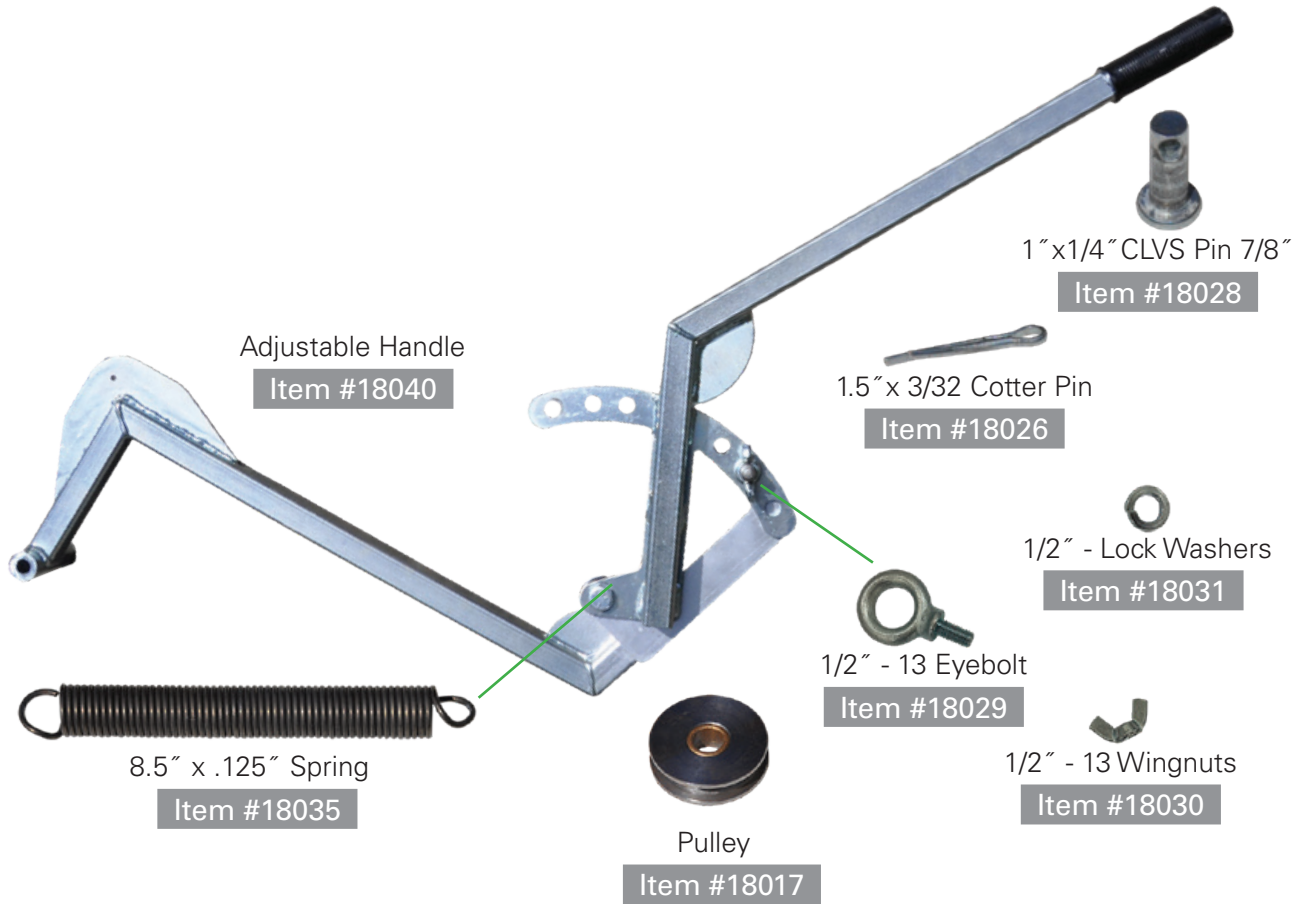
The Quick-Pull is required to install all Duro-Last custom-fabricated roofing systems.

Note: Two Quick-Pulls are recommended for all projects to optimize installation speed.



QUICK-PULL PARTS





QUICK-PULL VISE GRIP

Item #17861

1 Cotter Ring, 1 Vise Grip Pin,
1 Vise Grip

Note: Cable is sold separately.
(See page 6)



MEMBRANE INSTALLATION TOOLS



PULL-TITE KNEE PULLER

Item #1810

A tool used for installing parapets or deck membrane in corners and tight locations where the Quick-Pull cannot be utilized. The PULL-TITE is made from heavy aluminum plate, yet is portable and lightweight. It allows for increased installation efficiency and productivity, reduces labor costs and helps protect insulation and the membrane during installation.

This tool has a 3 $\frac{1}{8}$ " wide "duck bill" clamp that grips the membrane.



PULL-TITE KNEE PULLER REPLACEMENT CABLE

Item #1811

The replacement cable for the PULL-TITE Knee Puller.



PULL-TITE VISE GRIP WITH CABLE

Item #1812

A replacement Wide Vise Grip with cable for the PULL-TITE Knee Puller.



PULL-TITE ROLLER

Item #1810-001

The replacement roller for the PULL-TITE Knee Puller.



D/L START PC RATCHET SYSTEM

Item #1814

Consists of a modified 4" vise grip attached to a ratchet strap. This tool is used to start deck sheets and parapets by pulling the reverse tab and first tab straight, thus making the installation of the custom-fabricated roof section easier and faster.

Also includes a Quick-Pull Knurl Nut, not pictured.

Note: The vise grip must be attached to the factory weld, not to the fastening tab.

Contact the Duro-Last Quality Assurance Department for assistance or training on this tool.



D/L RATCHET VISE GRIP

Item #1815

The modified vise grip is used only with the D/L Start PC Ratchet System. This tool has a 4" wide "duck bill" clamp that grips the membrane.

Also includes a Quick-Pull Knurl Nut, not pictured.



WIDE HAND VISE GRIP

Item #1196

Used to grip the Duro-Last roofing membrane and pull it tight during installation. This tool is usually used in areas where the Quick-Pull or PULL-TITE cannot be used.

This grip has a 3 1/8" wide "duck bill" clamp that grips the membrane.

This vise grip will not attach to the Quick-Pull, Pull-Tite Knee Puller or Ratchet System.

Also includes a Quick-Pull Knurl Nut, not pictured.



PANDUIT TOOL

Item #1221

A lightweight, rugged, easy-to-operate tool that assists in stainless-steel band installation. The tool has a side entry for immediate positioning of the band and easy removal of excess band. Tool tension is controlled by the installer.

POWER HAND TOOLS & ACCESSORIES



HILTI® SCREW GUN ST-1800

Item #1273

An adjustable torque screw gun that can be used with single self-drilling screws. The 18-position adjustable torque clutch reduces fastener overdrive, and the snap on/off adjustable depth nose provides consistent screw depth settings.

This screw gun also has a quick release bit holder for changing bits easily.

HILTI TE-7 ROTARY, HAMMER DRILL KIT

Item #1276-007

A corded rotary hammer drill that has full hammering power for fast drilling of SDS bits into concrete and masonry. The Hilti TE-7 has a lightweight, ergonomic design with padded grip and large variable speed switch.

This tool also offers precision rotary hammer drilling with 2/3 hammer reduction for drilling into materials such as marble and stone.

Kit Includes:

Plastic Storage Case

TE-7 Drill

Tube of Grease

TE-CX Drill Bits (6)

- 3/16" x 6"
- 1/4" x 6"
- 5/16" x 6"
- 3/8" x 6"
- 1/2" x 6"
- 5/8" x 8"



M18 FUEL™ 1/4" CORDLESS HEX IMPACT DRIVER KIT

Item #12766

The M18 FUEL 1/4" Impact Driver is the fastest, most compact and most powerful tool in its class. The POWERSTATE™ Brushless motor delivers up to 2,000in-lbs of torque and up to 30% faster driving speed, increasing your productivity for the most demanding fasteners on the job. With the most compact impact driver at only 4.59" in length, you will have more access in tight spaces. The REDLINK PLUS™ intelligence ensures maximum performance and protects from overloads, heating or over-discharge. The REDLITHIUM™ Battery Pack delivers more work per charge and more work over the life of the pack than competitors. The 4-Mode DRIVE CONTROL™ provides greater control over output speed and power for greater versatility. Self-Tapping Screw mode provides faster installation time by reducing stripping of fasteners.

Kit Includes:

M18 FUEL 1/4" Hex Impact Driver

M18 REDLITHIUM XC5.0 Extended Capacity Battery Pack

M18 & M12™ Multi-Voltage Charger

Belt Clip

Bit Holder

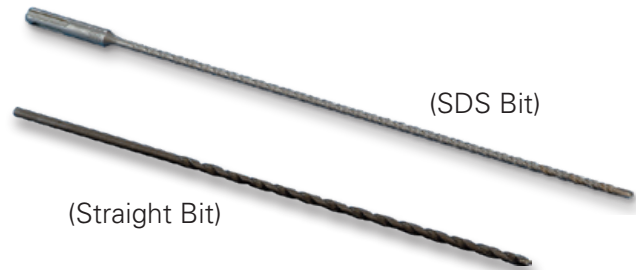
Carrying Case



P-3 LONG DRIVE TIPS

Item #1265

The P-3 Long Drive Tips are specifically designed to fit all Duro-Last screw heads. Their extra-long length ensures a better fit with all models of screw guns offered by Duro-Last, with more length at the end of the gun.



DRILL BITS

All drill bits in the Duro-Last price list are available in 3/16" for #14 screws, 7/32" for #15 screws, 1/4" for metal anchors, 7/16" and 1/2" diameters for augers in the lengths shown on page 10.

Note: Deduct 2" for actual useable length.

Duro-Last carries straight (STR) bits and spline drive system (SDS) bits. Straight (STR) and spline drive system (SDS) drill bits are produced by DEWALT®.

POWER HAND TOOLS & ACCESSORIES CONTINUED

DRILL BITS

<i>Size</i>	<i>Bit Name/Type</i>	<i>Item #</i>
3/16" x 3"	Masonry STR Bit	1632
3/16" x 6"	Masonry STR Bit	1633
3/16" x 12"	Masonry STR Bit	1804
3/16" x 6 1/2"	Masonry SDS Bit	1629
3/16" x 8 1/2"	Masonry SDS Bit	1635
3/16" x 10"	Masonry SDS Bit	1630
3/16" x 12"	Masonry SDS Bit	1640
7/32" x 6"	Masonry STR Bit	1631
7/32" x 12"	Masonry STR Bit	1637
7/32" x 12"	Masonry SDS Bit	1644
7/32" x 16"	Masonry SDS Bit	1645
1/4" x 4"	Masonry STR Bit	1266
1/4" x 4"	Masonry SDS Bit	1268
1/4" x 6"	Masonry SDS Bit	1643
7/16" x 6"	Masonry STR Bit	1267
7/16" x 6"	Masonry SDS Bit	1641
7/16" x 12"	Masonry SDS Bit	1642
1/2" x 6"	Masonry STR Bit	1271
1/2" x 12"	Masonry STR Bit	1272
1/2" x 6"	Masonry SDS Bit	1269
1/2" x 10"	Masonry SDS Bit	1270

HOT AIR WELDING TOOLS



2" SILICONE ROLLER

Item #1301

A roller used to put pressure on membrane material in the welding process as heat is applied.

NOTE: A roller is required to install all Duro-Last Roofing Systems.



2" ERGONOMIC SILICONE ROLLER

Item #1301 ERG

An ergonomically-designed roller with a cushion-grip handle used to put pressure on the membrane material when welding seams together. Available only from Duro-Last's Saginaw location.



2" SILICONE REPLACEMENT ROLLER

Item #1301S

Replacement roller for the original 2" Silicone Roller and the Ergonomic 2" Silicone Roller. This product is great to have on-hand as a backup because a roller is required to install all Duro-Last Roofing Systems.



ROLLER TACK CLAW

Item #1301RC

An ergonomically-designed roller with a cushion-grip handle used to put pressure on the membrane material when welding seams together. For convenience, the cotter key extractor is built into the handle of the roller to allow the contractor to check the field seams, all with one tool.



TACK CLAW

Item #1197

A hand-held tool used for probing field-welded seams on Duro-Last Roofing Systems.



LEISTER® TRIAC ST HEAT GUN WITH NOZZLE – 120 V/1600 W

Item #1202

A lightweight welding tool that provides efficient welding capabilities. Features include electronic heating element protection and automatic motor shut-off. Comes with a 40 mm nozzle.

Note: A heat gun is required to install all Duro-Last Roofing Systems.



LEISTER TRIAC ST HEAT GUN KIT – 120 V/1600 W

Item #1201

Kit includes the Triac heat gun, a 40 mm nozzle, an extra heat gun element, silicone roller and tool box.

HOT AIR WELDING TOOLS CONTINUED



BAK RiOn HEAT GUN 120 V/1600 W

Item #1102

Kit includes RiOn 120V/1600w heat gun, a 40 mm nozzle, a silicone roller and tool box.

Note: A heat gun is required to install all Duro-Last Roofing Systems.



BAK RiOn DELUXE KIT 120 V/1600 W

Item #1101

Kit includes RiOn 120V/1600w heat gun, a 20 mm nozzle, a 40 mm nozzle, a silicone roller, nozzle cleaning brush, 1-3/4" silicone roller, heating element, carbon brushes, air filter and metal tool box.

Note: A heat gun is required to install all Duro-Last Roofing Systems.



BAK RiOn LARON WALKER WELDER - 230 V/4600 W

Item #1213 (Drop Ship Only)

Comparable to the Leister VARIMAT V2 walker welder, this welder provides smooth welding with a digital display for temperature and speed.

Temperature: 68°F to 1,148°F

Weight: 77 lbs.

Note: Requires a minimum 6,400-watt generator to operate.

Sold Separately: Roof Pro 12,000 Watt Generator, Item #1212 and Generator Power Cord, Item #1209. See page 24 for details.



LEISTER VARIMAT V2-200-400V

Item #1208 (Drop Ship Only)

With the innovative VARIMAT V2 welding machine, membranes are welded quickly and economically. The automatic welder can be easily operated by one person thanks to the adjustable guide handle and the convenience of the "e-Drive" operating unit. This digital display not only shows the temperature control, but stores the welding parameters to ensure optimal welding seams, even after breaks or over days.

Temperature: 100-620°C **Weight:** 77 lbs.

Welding Width: 40-80 mm **Welding Speeds:** 2.3 to 39.4 ft./minute

HOT AIR WELDING TOOL ACCESSORIES

NOTE: Many of the following accessories can be used for the new model (1G3) or old model (1A) Leister Triac Heat Gun.



TRIACT S HEATING ELEMENT

Item #1206

For use with Leister 1G3 Triac Heat Gun, Leister 1A Triac Heat Gun and Triac S heat gun. (square base)

TRIACT ST HEATING ELEMENT

Item #1206-001

For use with Leister 1G3 Triac Heat Gun, Leister 1A Triac Heat Gun and Triac ST heat gun. (round base)



TRIACT BRUSH

Item #1199

For use with Leister 1A Triac Heat Gun. Sold individually. (Requires 2 brushes)

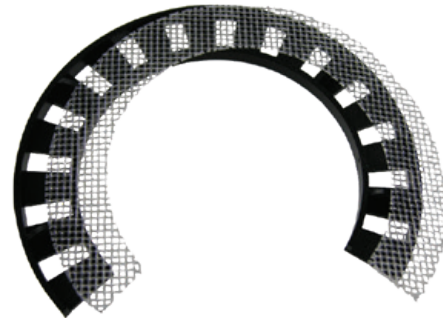


TRIACT BRUSH

Item #1199-01

For use with Leister 1G3 Triac Heat Gun. Sold individually.

(Requires 2 brushes)



SCREEN & LOUVER FILTER

Item #1200

For use with Leister 1G3 Triac Heat Gun. Sold as a set.



LEISTER TRIAC NOZZLE 40 MM

Item #1207

For use with Leister 1G3 Triac Heat Gun or Leister 1A Triac Heat Gun.



LEISTER WIDE SLOT NOZZLE 20 MM

Item #11924

A ¾-inch-wide angled nozzle for use with Leister Triac hand-held welder models. This welding nozzle is push fit with an adjustable screw for tightening and adjustments.



ON-OFF SWITCH

Item #1159

For use with Leister 1G3 Triac Heat Gun or Leister 1A Triac Heat Gun.



20 K POTENTIOMETER

Item #1160

For use with Leister 1G3 Triac Heat Gun, Leister 1A Triac Heat Gun or Triac S Heat Gun.



CORD

Item #1172

For use with Leister 1G3 Triac Heat Gun or Leister 1A Triac Heat Gun.

RHINO BOND & ACCESSORIES



RHINO BOND WITH OPTIWELD™ TECHNOLOGY

Item #1302-4

(Drop Ship only)

RhinoBond uses electromagnetic induction welding technology to bond Duro-Last PVC membrane to a specially-coated fastening plate beneath the roofing membrane, never puncturing the membrane while also fastening insulation and recovery board materials to the roof deck. Six weighted magnets included.



RHINO BOND MAGNETS

Item #1302-010

(Drop Ship only)

Additional set of six weighted magnets used to activate the electromagnetic sealing technology of the RhinoBond system. This system's 45-second magnet application assures a strong bond.



RHINO BOND HAND WELDER KIT

Item #1302-2

(Drop Ship only)

This lightweight, portable induction welder is designed to bond RhinoBond plates to PVC membranes in hard-to-reach areas such as under rooftop equipment and on vertical surfaces. The stand-alone RhinoBond Hand Welder is ergonomically designed and features a vibrating handle and indicator lights to let users know when the tool is activated and when the weld cycle is complete. The base features a recessed centering design to help users properly align the tool over RhinoBond Plates for optimum bonding. Three wall magnets included.

A set of 10 wall magnets may be purchased separately. (Item #1302-3)



DURO-LAST QUICK-CHECK® ROOF INSPECTOR

Item #18012

(Drop Ship only)

The Quick-Check Roof Inspector (Quick-Check) is a tool used for testing of Duro-Bond® plate welds and adhesion of adhered membranes. A vacuum seal is created to allow for pulling of the membrane with the Quick-Check.



ACCUTRAC EZ

Item #1972

(Drop Ship only)

The newly redesigned stand-up tool for installing insulation plates on steel or wood roof decks with 3" square AccuTrac Plates. Compatible with fasteners up to 8" long.



ACCUSEAM

Item #1973

(Drop Ship only)

An ergonomically designed stand-up tool used to install lap seam plates in mechanically attached single-ply systems.



RHINOTRAC EZ

Item #1974

(Drop Ship only)

The newly redesigned stand-up tool for installing RhinoBond Plates on steel or wood roof decks. Compatible with fasteners up to 8" long.

ADHERED ROOFING TOOLS



ADHERED PULL-TEST FRAME

Item #1695

The Duro-Last Adhered Pull-Test Frame measures the strength of a roofing substrate to ensure its security and integrity prior to installing a new roof. The adhered frame attaches to the original Pull-Test Assembly. **Includes bag to carry frame.**



PULL-TEST KIT

Item #3153

Designed to be used with adhered pull test frame. This kit is used to determine if an adhered roofing system can be installed to the existing roofing system substrate.

For convenience and cost savings, Duro-Last offers all items needed to perform adhered pull tests in small quantities. The kit includes:

- 1 can of 3M™ RTA-1 Foam Roof Adhesive
- 12 pieces of 1' x 1' Duro-Fleece® membrane
- 10 pieces of 1' x 1' x 3/4" plywood
- 1 box of GREAT STUFF™ Work Wipes
- 12 - 1" #14 screws

POWERBLANKET

5-Gallon Bucket Heaters

Item #12033

Powerblanket's 5-gallon bucket heaters provide a range of heating solutions for warming and storing temperature-sensitive materials. The patented design eliminates hot and cold spots by applying uniform full-coverage heat across the entire surface of the container, allowing users to keep their materials at the proper viscosity while remaining at specified thermal levels.

Heaters come in 120 volts.

5-Gallon bucket heaters come as an insulated full-wrap design with cinch straps to secure a tight fit. They're also water-resistant and can be used with poly and steel buckets.

All Powerblanket products are ETL certified to UL, CSA and CE safety standards.



POWERBLANKET

17 Gallon Foam Cylinder Warmer

Item #12034

Powerblanket 17-gallon foam tank heaters includes an internal fixed thermostat, which provides uniform heat to spray foam systems and eliminates any hot or cold spots. By using a cylinder tank spray foam heater, commercial spray foam systems will last longer and be more effective, saving time, hassle and money.

All Powerblanket products are ETL certified to UL, CSA and CE safety standards.



POWERBLANKET

Hot Box 48" x 48" x 48"

Item #12035

The HB64 model offers cutting-edge technology for freeze protection, chemical storage and viscosity control in a flexible, easy-to-install design that will effectively, evenly and reliably heat your materials.

Designed for any definitive heating applications, surrounded by a rugged vinyl shell in a wraparound design with a removable top, safely raises material temperatures as high as 145°F and can be used in temperatures as low as -20°F.

All Powerblanket products are ETL certified to UL, CSA and CE safety standards.



ADHERED ROOFING TOOLS



POWERBLANKET

Tote Heaters

Item #12036 48" x 48" x 48" 275 gal

Item #12037 48" x 40" x 53" 330 gal

Powerblanket 275-gallon and 330-gallon IBC tote warmers offer cutting-edge technology for freeze protection, chemical storage and viscosity control in a flexible, easy-to-install design that will effectively, evenly and reliably heat your IBC tote. The patented design eliminates hot and cold spots by applying uniform, full-coverage heat across the entire surface of the container, allowing users to keep their materials at the proper viscosity while remaining at specified thermal levels. Each tote heater can be equipped with either an adjustable smart thermostat or a IoT smart thermostat. Designed for any definitive heating applications, surrounded by a rugged vinyl shell in a wraparound design with a removable top, safely raises material temperatures as high as 145°F and can be used in temperatures as low as -20°F.

All of the 275 and 330-gallon tote heaters come as an insulated, water-resistant full-wrap design with cinch straps to secure a tight fit.

All Powerblanket products are ETL certified to UL, CSA, and CE safety standards.



POWERBLANKET

40 lb Cylinder Warmer

Item #12038

Powerblanket 40-pound propane tank heaters optimize container pressure and increase tank efficiency. By using Powerblanket propane tank heaters, gas cylinders will last longer and be more effective. This saves time, hassle and money.

Cold weather can wreak havoc on propane tanks and other gas cylinders. When the temperature drops, it's very difficult to maintain optimal pressure in a gas cylinder. This prevents the propane from vaporizing which in turn makes your propane tank unusable. Powerblanket offers a solution with propane tank heaters for controlling temperatures of propane, as well as butane, nitrogen, oxygen and other compressed gases. These heaters provide a uniform barrier of heat across the entire cylinder with the help of a fixed internal thermostat.

All of the propane tank heaters come as an insulated full-wrap design with cinch straps to secure a tight fit. They're also water-resistant and can be used on poly and steel drums.

All Powerblanket products are ETL certified to UL, CSA, and CE safety standards.

MISCELLANEOUS TOOLS



9" SCISSORS

Item #1193

For virtually all roof installations it is necessary to cut the Duro-Last membrane. These scissors are designed for the harsh rooftop environment.



MULTI-PURPOSE 10" SCISSORS

Item #11920

Nearly all roof installations require cutting of the Duro-Last membrane. The Multi-Purpose shear is designed to withstand the harsh rooftop environment, while being a less expensive alternative.



ROOF INSPECTION CRAYONS

Item #11926

An all-white rooftop can make it difficult to see spots you would like to re-inspect. While all of our commercial roof applications are inspected by our trained Quality Assurance Technical Representatives, these roof inspection crayons will assist in your own personal pre-inspections.



UTILITY KNIFE

Item #1195

This utility knife is convenient for cutting the Duro-Last membrane.



RETRACTABLE UTILITY KNIFE

Item #11928

The convenience of a utility knife that fits in your pocket. The folding feature of this utility knife allows for one-handed opening and closing and includes a retractable blade for variable cutting depths.



35' TAPE MEASURE

Item #11921

This tool is a standard construction tape measure with a convenient belt clip and added length for large jobs.



HAMMER

Item #11922

A standard construction item, this 16 oz. steel hammer will help to complete all roofing jobs. With a sturdy steel handle and steel head, it offers strength and durability.

MISCELLANEOUS TOOLS

CONTINUED



CARPENTER PENCIL AND BLUE CRAYON

Item #11929

This is another option to help mark areas on the rooftop you would like to re-inspect. While all of our commercial roof applications are inspected by our trained Quality Assurance Technical Representatives, this carpenter pencil will assist in your own personal pre-inspections and all other job site functions.



DURO-BAG

Item #1261

A convenient "newspaper-style" bag roofing crews can use to carry all of the tools necessary for completing minor roof maintenance.

The tool bag can carry a 100-foot; #12 cord; welder; caulk gun; membrane material, and other small tools. The over-the-shoulder bag allows you to have both hands free when climbing a ladder.

WIND PAD

Item #3599

This notepad holder has a Velcro closure that allows contractors to write up roof orders or design roof layouts, even in the wind.

The closure holds the notepad's pages in place and enables easier writing for contractors without their paper blowing around.



CAULK GUN

Item #1192

A typical construction tool used on roofing projects, this caulk gun holds a standard caulk tube.



APRON FOR SCREWS & PLATES

Item #2085

This useful, lightweight canvas apron is excellent for holding your roofing screws and plates.



PLATE POUCH

Item #1262

This handy and easily-accessible canvas pouch attaches to your belt and is perfect for holding plates.



SMART LADDER REST™

Item #1219W

The simple, ingenious, cost-effective solution for ladder safety compliance. If you're responsible for sending people up on a roof, Smart Ladder Rest is your best choice for getting them back down safe and sound. Product ships with four butterfly corners to match the Duro-Last roof membrane.



SMART LADDER REST WITH GUTTER EXTENSION

Item #2219W

The simple, ingenious, cost-effective solution for ladder safety compliance. If you're responsible for sending people up on a roof, Smart Ladder Rest is your best choice for getting them back down safe and sound. Includes an extension piece to install over the gutter attached to the building. Ships with four Duro-Last membrane butterfly corners.



9" CORE CUTTER

Item #1649

18" CORE CUTTER

Item #1648

One end of each tool has sharp teeth to cut a 2" diameter round hole through the existing roofing system to obtain a core sample that will need to be replaced after documenting the necessary roof information. The longer core cutter allows you to take deeper core cuts, and the additional length makes the tool easier to use.



PULL-OUT TESTER BY COM-TEN

Item #1650

A tool used to determine the fastener pull-out resistance of a roof deck.

Read-out is in 25-lb. increments.

Refer to the Duro-Last Specification Manual for fastening requirements.

GENERATORS



ROOF PRO 12,000 WATT GENERATOR BY HY-TECH

Item# 1212

(Drop Ship Only)

This heavy-duty portable generator produces consistent, clean power for high quality work. Features a durable Honda GX630 engine and allows simultaneous power for one 240V and three 120V tools. Ideal for Leister "Walker" Welder available through Duro-Last.



GENERATOR POWER CORD

Item# 1209

A 10-gauge line cord with inline GFCI and matching plug ends for the Roof Pro 12,000 Watt Generator and Leister "Walker" Welder.

HELPFUL HINTS FOR OPERATING TOOLS

When using extension cords, special consideration must be given to their size and length. The following tips will help avoid any power shortages or problems.

1. Make sure you use the appropriately sized generator with no more than the maximum recommended cord length to accommodate the tools you will be using.
2. Use minimum #12 wire cord.
3. A maximum 200-foot cord can be used without a step-up transformer, and a #10-3 wire cord is recommended for running line to the roof; then run #12-3 wire cord from this line.
4. One heat gun requires 15 amps of service, while two heat guns require 30-amp breakers operating two separate lines. Note: If the heat gun pulsates, the current is too low. Check the cord size, length and amperage. Low voltage to a heat gun will limit the operating temperature.
5. A #12-3 wire has a 6-volt drop per 100 feet of extension cord.
6. A #10-3 wire has a 4-volt drop per 100 feet of extension cord.
7. The Leister Varimat Automatic "Walker" Welder requires a #10-3 wire cord.

HEAT GUN REPAIR

Non-operational Leister Heat Guns can be sent to Duro-Last corporate headquarters in Saginaw, Michigan, to be repaired.

Send heat gun(s) along with a paper stating your contractor number, contractor name and the address you would like the heat gun(s) sent back to. Parts and/or labor charges may apply.

Send heat gun(s) and required information to:

Duro-Last, Inc.

Attn: Heat Gun Repair
525 W. Morley Drive
Saginaw, MI 48601

PULL-OUT TESTER CALIBRATION

Every Pull-Out Tester must be calibrated annually.

Along with Pull-Out Tester, please include a contact name, phone number and return address. Fees and shipping are the responsibility of the customer.

Please mail Pull-Out Tester to:

Com-Ten Industries.

Attn: Calibration Dept.
6405 49th St. N
Pinellas Park, FL 33781



OVER **2**
BILLION
SQUARE FEET SOLD

Since 1978, billions of square feet of Duro-Last membrane have been installed throughout North America. We stand by every square foot with our industry-leading warranties, Quality Assurance department, custom-fabricated systems approach and commitment to providing problem-solving products.



Manufacturer of the
"World's Best Roof"® with
proven performance since
1978.

**CORPORATE
HEADQUARTERS**

525 W. Morley Drive
Saginaw, MI 48601

**IOWA
MANUFACTURING
FACILITY**

1409 E. SADC Ave.
Sigourney, IA 52591

**MISSISSIPPI
MANUFACTURING
FACILITY**

6200 I-55 South
Jackson, MS 39272

**OREGON
MANUFACTURING
FACILITY**

111 N. Valley Drive
Grants Pass, OR 97526

**TEXAS
MANUFACTURING
FACILITY**

2940 Eisenhower St.
Carrollton, TX 75007

**MASSACHUSETTS
MANUFACTURING
FACILITY**

84 Westover Road
Ludlow, MA 01056



For more information give us a call
or visit our website today.

800.248.0280

duro-last.com

"Duro-Last", "Quick-Pull", "Quick-Check", "Duro-Bond", "Duro-Fleece" and "World's Best Roof" are registered trademarks owned by Duro-Last, Inc.

"Hilti" is a trademark of Hilti Corporation.

"Leister" is a registered trademark of Leister.

"RhinoBond" is a registered trademark of Olympic Manufacturing Group, Inc.

"DEWALT" is a registered trademark of Stanley Black & Decker.

3M™ is a trademark of 3M Company.

GREAT STUFF™ is a trademark of the Dow Chemical Company or an affiliated Company of Dow.

Tool Catalog ORIG: 8.3.16 REV: 7.24.19 / 2.7.22 / 12.14.22 – DL090011

