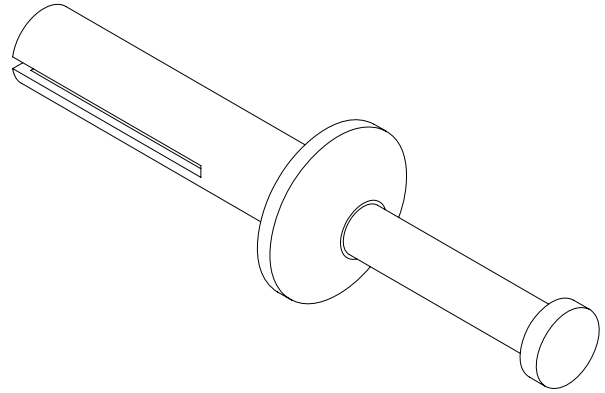


# PRODUCT DATA SHEET

## DURO-LAST ZINC PLATED METAL ANCHORS

### Description:

Duro-Last®, Inc. Zinc-Plated Metal Anchors are for mechanical fastening of the Duro-Last® Parapet Flashing and termination bar for light duty application into brick, hollow block and concrete. Zinc-Plated Metal Anchors are manufactured to the highest standards in the roofing industry. Zinc-Plated Metal Anchors have a stainless steel pin for protection against the harsh roofing environment and are designed to be easily installed as well as removed. Anchors are not for use in deck tab fastening.



### Installation:

Zinc-Plated Metal Anchors are designed to be driven into a pre-drilled ¼-inch (6 mm) hole with the depth ½-inch deeper than the anchor length. Insert anchor and set pin with a hammer.

For more information on these and other Duro-Last Products, contact the Duro-Last Engineering Services Department.

E-Mail: [engineering@duro-last.com](mailto:engineering@duro-last.com)

"Duro-Last" and the interlocking "DL" are registered marks owned by Duro-Last Roofing, Inc. October 2005



Duro-Last Roofing, Inc.  
525 Morley Drive  
Saginaw, MI 48601  
Ph: 1-800-248-0280  
Fax: 1-800-432-9331  
[www.duro-last.com](http://www.duro-last.com)