

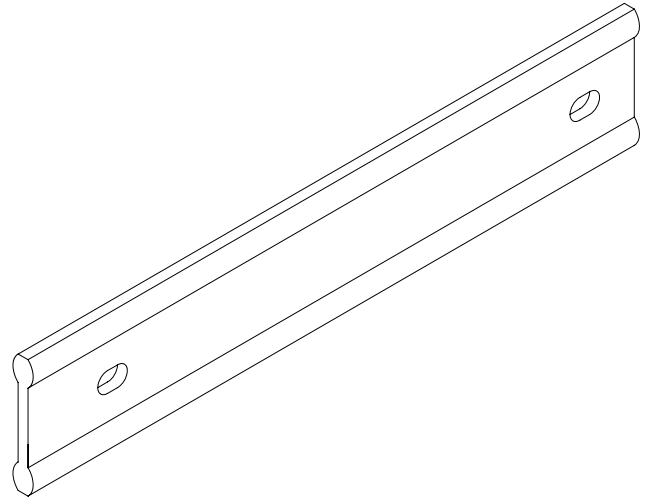
PRODUCT DATA SHEET

DURO-LAST TERMINATION BAR

Description:

Duro-Last® Termination Bar (available in white, gray and tan colors) is fabricated from a rigid exterior vinyl with slotted holes 6" (152 mm) on center. Duro-Last® termination bar may be used as perimeter detail for the Duro-Last® Roofing System and as termination on any square or rectangular penetration. Because of its symmetrical design, it is reversible.

Duro-Last® Termination Bar is available in 10' (3 m) lengths only. Duro-Last®, Inc. will supply the termination bar in multiples of 10' (3 m) and has two standard packages. The small tube package contains a maximum of 170 lineal feet (51.8 m) while a large tube contains 500 lineal feet (152.5 m) maximum.



Installation:

Duro-Last® Termination Bar shall be fastened 6" (.15 m) on center with approved fasteners. All termination bar must have a fastener 1-inch maximum from each corner or end of termination bar. The leading edge of all sections of termination bar must be caulked. It is necessary to leave a ¼-inch (13mm) space between all sections of termination bar (See details 3010 & 3020). All vertical applications require caulk on both sides.

For more information on these and other Duro-Last Products, contact the Duro-Last Engineering Services Department.

E-Mail: engineering@duro-last.com

"Duro-Last" and the interlocking "DL" are registered marks owned by Duro-Last Roofing, Inc. October 2005



Duro-Last Roofing, Inc.
525 Morley Drive
Saginaw, MI 48601
Ph: 1-800-248-0280
Fax: 1-800-432-9331
www.duro-last.com