

PRODUCT DATA SHEET

DURO-LAST STACK FLASHINGS

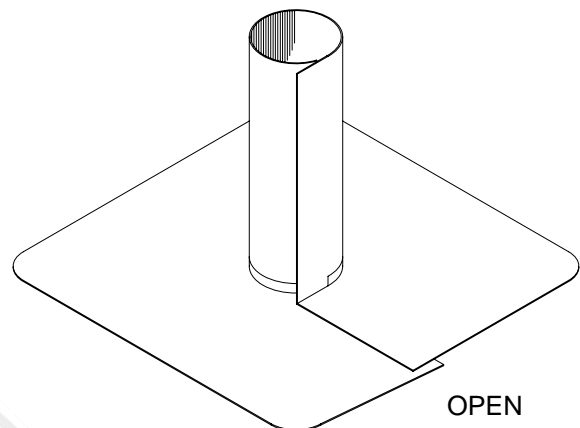
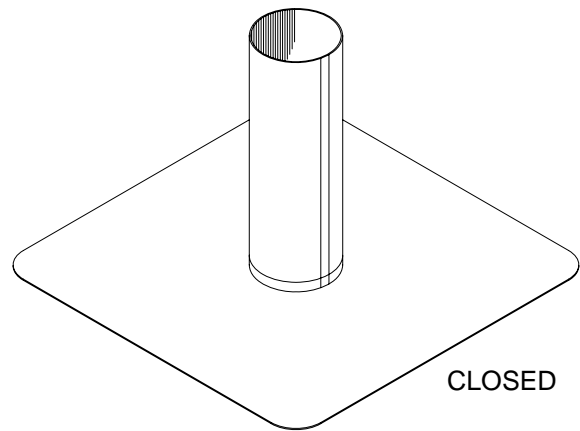
Description:

Duro-Last® Patented Prefabricated Stack Flashings (available in white, gray and tan colors) are fabricated from a high tenacity low shrink weft inserted 18 x 14, 1000 Denier polyester fabric that has been coated with a proven thermoplastic alloy. Duro-Last® Prefabricated Stack Flashings shall be used in every instance of a round penetration on any installation. Round stack flashings are manufactured from Duro-Last® roofing membrane and shall be furnished by Duro-Last®, Inc. The 2, 3, 4 and 6-inch stacks are designed 5/8" oversize to fit on the outside of a schedule 40 plastic pipe. All other sizes are 3/8" oversize.

Installation:

The field membrane shall be installed around the base of the circular penetration and mechanically attached at the same fastening pattern as the deck membrane, maximum 18-inches on center, and no less than one fastener for each circular penetration. The minimum vertical height of a stack flashing is 8-inches (.2 m). Duro-Caulk shall be applied to the top portion of the circular penetration where the prefabricated stack flashing will be attached. A stainless steel band clamp as furnished by Duro-Last®, Inc., shall be tightened around the top portion of the stack. Excess stack material above the clamp shall be trimmed away, and the area above the stack and circular penetration sealed with Duro-Caulk sealant. The skirt of the prefabricated stack flashing shall then be heat-welded (hot-air) to the Duro-Last® roof membrane. Stack flashings and bands shall be furnished by Duro-Last®, Inc. (see detail 4070 for plumbing vents and detail 4080 for all solid fuel vents, multiple wall pipes and all pipes which have a **constant temperature above 120°F**).

Note: All stack flashings will be pre-fabricated 8" in vertical height unless special ordered. Stack flashings 16" in diameter and larger will be prefabricated *open* only, in 2 inch increments and the base will measure twelve inches wider than the diameter of the stack, unless special ordered. An open stack flashing will require one heat (hot-air) weld to close the flashing. Duro-Last®, Inc. provides the extra material necessary for the required one and one-half inch wide weld.



Sizes available:

- 1" – Available in closed only
- 1.5" through 15" – Available in closed or open
- 16" and greater – Available in open only

Skirt sizes available:

- 18" x 18" – Available for 1" through 8" stacks
- 24" x 24" – Available for 9 through 15" stacks

*For stacks 16" or larger, a 6" skirt will be standard.

**Custom sizes are available on request.

For more information on these and other Duro-Last Products, contact the Duro-Last Engineering Services Department.

E-Mail: engineering@duro-last.com

"Duro-Last" and the interlocking "DL" are registered marks owned by Duro-Last Roofing, Inc. October 2005



Duro-Last Roofing, Inc.
525 Morley Drive
Saginaw, MI 48601
Ph: 1-800-248-0280
Fax: 1-800-432-9331
www.duro-last.com