

# PRODUCT DATA SHEET

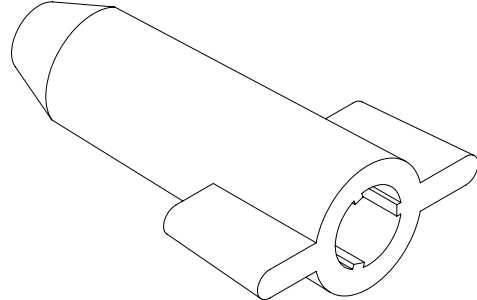
## DURO-LAST SCREW POINT CAPS

### Description:

The Duro-Last® Screw Point Cap™ is designed to cover the point on Duro-Last® Screws that penetrate below the deck. This can be helpful, especially in areas used for athletic events, where there is risk of the screw points piercing basketballs, volleyballs, etc.

### Installation:

The Duro-Last® Screw Point Cap™ is available in black or white and designed to be twisted onto the end of a # 14 screw.



For more information on these and other Duro-Last Products, contact the Duro-Last Engineering Services Department.

E-Mail: [engineering@duro-last.com](mailto:engineering@duro-last.com)

"Duro-Last" and the interlocking "DL" are registered marks owned by Duro-Last Roofing, Inc. October 2005



Duro-Last Roofing, Inc.  
525 Morley Drive  
Saginaw, MI 48601  
Ph: 1-800-248-0280  
Fax: 1-800-432-9331  
[www.duro-last.com](http://www.duro-last.com)