

# PRODUCT DATA SHEET

## DURO-LAST PVC DRAIN ASSEMBLY

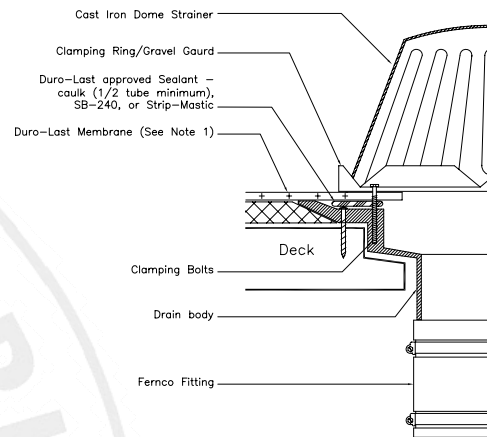
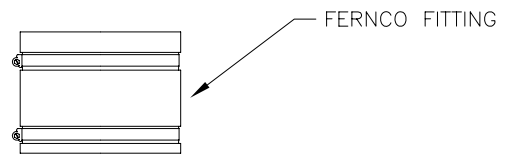
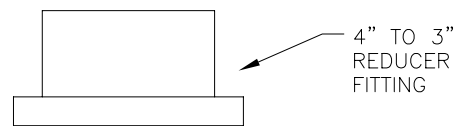
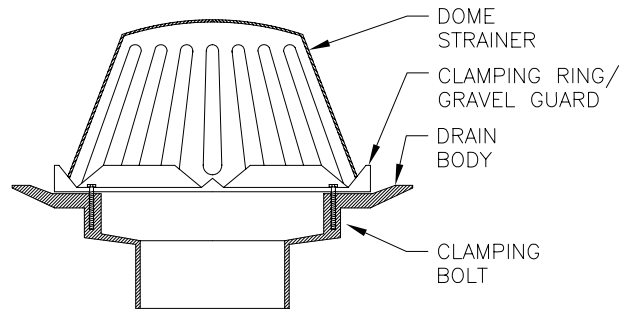
### Description:

Duro-Last® Drain(s) (available in white only) are fabricated from a rigid exterior vinyl and have a black heavy duty cast iron dome. These easy to install drains have brass inserts for better compression and are compatible with all types of piping and the Duro-Last® Roofing System. The drains are packaged with a reducer fitting to accommodate either a 3-inch (76 mm) or 4-inch (102 mm) drain pipe and a Fernco rubber fitting to provide for use in all types and methods of construction. The drain may be used as a replacement to existing clamping style drains or in new construction applications.

Duro-Last® PVC Drain allows for free water flow and protection against clogs as well as quick installation. Other expanders or reducers may be attached to use existing piping during a retrofit installation.

### Installation:

Roof drains shall be clamping style drains (new construction) installed as shown in detail drawing 2011. New roof drain components may be furnished by Duro-Last®, Inc.



Note1: Duro-Last Membrane must extend beyond the inside of the clamping ring, but must not be smaller than the diameter of the drain.

2011  
NTS

CLAMPING STYLE DRAIN  
New Construction or Reroof

© COPYRIGHT 2003

For more information on these and other Duro-Last Products, contact the Duro-Last Engineering Services Department.

E-Mail: [engineering@duro-last.com](mailto:engineering@duro-last.com)

"Duro-Last" and the interlocking "DL" are registered marks owned by Duro-Last Roofing, Inc. October 2005



Duro-Last Roofing, Inc.  
525 Morley Drive  
Saginaw, MI 48601  
Ph: 1-800-248-0280  
Fax: 1-800-432-9331  
[www.duro-last.com](http://www.duro-last.com)