

PRODUCT DATA SHEET

DURO-GUARD™ METAL FASCIA SYSTEM

Description:

Duro-Guard Metal Fascia System is available for the Duro-Last® 1 3/4" (44 mm) and 4" (102 mm) fascia bars. The Duro-Guard Metal Fascia System is available in 10' (3 m) lengths. Prefabricated inside and outside corner covers are available for the 4" (102 mm) fascia.

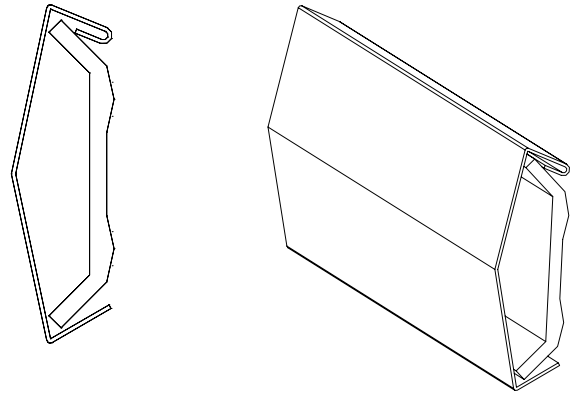
Duro-Guard Metal Fascia Covers are formed from 24 gauge galvanized steel. All steel perimeters are available with a medium gloss Kynar coating. Five standard and several custom colors are available to enhance or match a structure's exterior.

The fascia cover is shipped with a protective plastic film to protect the finish. The film must be removed prior to installation.

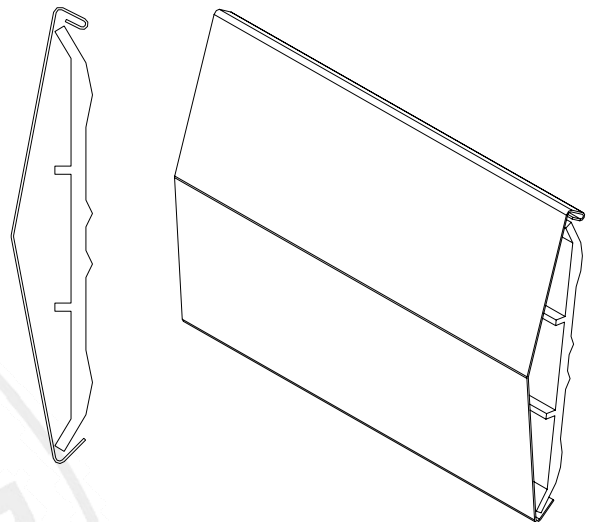
If cleaning is required, this can be accomplished with soap and water. (i.e. 1/3 cup of laundry detergent per gallon of water). A clear water rinse should follow.

Installation:

All components must be installed in accordance with ICC section 1507 and ANSI/SPRI ES-1. See installation guidelines supplied with this product.



1 3/4" Fascia System



4" Fascia System

For more information on these and other Duro-Last Products, contact the Duro-Last Engineering Services Department.

E-Mail: engineering@duro-last.com

"Duro-Last" and the interlocking "DL" are registered marks owned by Duro-Last Roofing, Inc. October 2005



Duro-Last Roofing, Inc.
525 Morley Drive
Saginaw, MI 48601
Ph: 1-800-248-0280
Fax: 1-800-432-9331
www.duro-last.com