

PRODUCT DATA SHEET

DURO-GUARD™ GRAVEL STOP COVER

Description:

Metal covers are available for the 2" and 4" gravel stop. Gravel Stop metal covers are available in 10' (3 m) lengths. Prefabricated inside and outside corners are also available.

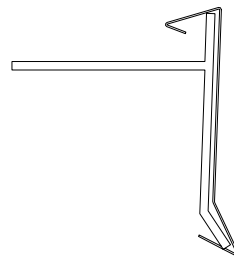
Gravel Stop Metal covers are formed from 24 gauge galvanized steel. All steel perimeters are available with a medium gloss Kynar coating. Five standard and several custom colors are available to enhance or match a structure's exterior.

The cover is shipped with a protective plastic film to protect the finish. The film must be removed prior to installation.

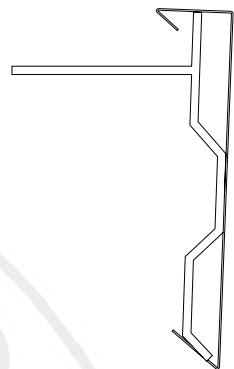
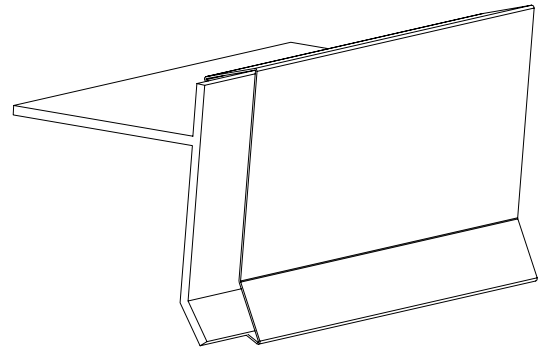
If cleaning is required, this can be accomplished with soap and water. (i.e. 1/3 cup of laundry detergent per gallon of water). A clear water rinse should follow.

Installation:

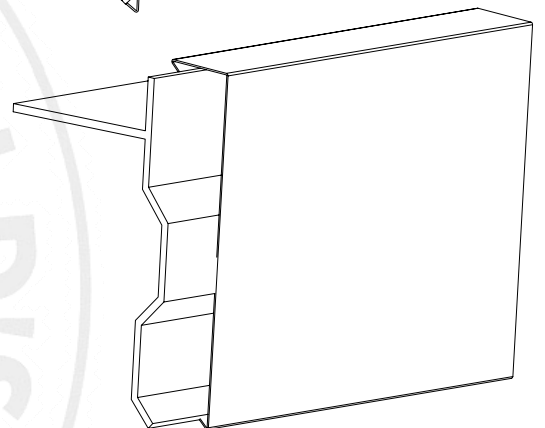
All components must be installed in accordance with ICC section 1507 and ANSI/SPRI ES-1. See installation guidelines supplied with product.



2" Gravel Stop Cover



4" Gravel Stop Cover



For more information on these and other Duro-Last Products, contact the Duro-Last Engineering Services Department.

E-Mail: engineering@duro-last.com

"Duro-Last" and the interlocking "DL" are registered marks owned by Duro-Last Roofing, Inc. October 2005



Duro-Last Roofing, Inc.
525 Morley Drive
Saginaw, MI 48601
Ph: 1-800-248-0280
Fax: 1-800-432-9331
www.duro-last.com