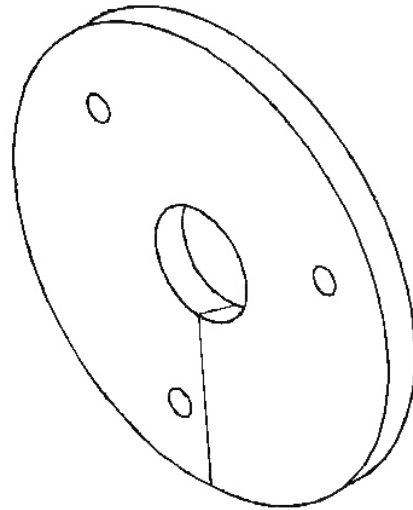


# PRODUCT DATA SHEET

## DURO-LAST ESCUTCHEON (CONDUIT) WASHER

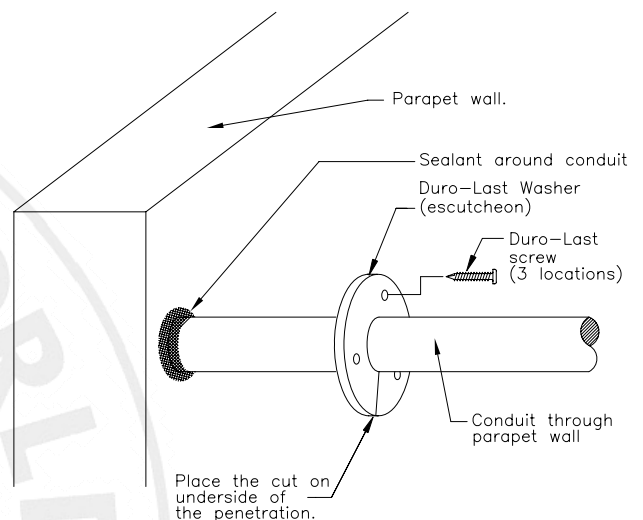
### Description:

Duro-Last<sup>®</sup>, Inc. manufactures the Escutcheon (Conduit) Washer for sealing small round penetrations on vertical surfaces, such as parapet walls. The Escutcheon (Conduit) Washer is manufactured ¼-inch thick from recycled Duro-Last membrane. It is available in white, gray and tan colors. The Escutcheon (Conduit) Washer has a center hole ½-inch, ¾-inch or 1-inch diameter. The washer comes predrilled with three holes for fastener positioning and securement. The Escutcheon (Conduit) Washer is to be installed at least 8-inches above the roof surface.



### Installation:

Apply Duro-Caulk Sealant on entire back side of the Escutcheon (Conduit) Washer prior to installation. Set the washer in place positioning the slit straight down. Install the three fasteners and apply additional Duro-Caulk Sealant around the penetration at the washer and around the washer at the flashing membrane.



For more information on these and other Duro-Last Products, contact the Duro-Last Engineering Services Department.

E-Mail: [engineering@duro-last.com](mailto:engineering@duro-last.com)

"Duro-Last" and the interlocking "DL" are registered marks owned by Duro-Last Roofing, Inc. October 2005



Duro-Last Roofing, Inc.  
525 Morley Drive  
Saginaw, MI 48601  
Ph: 1-800-248-0280  
Fax: 1-800-432-9331  
[www.duro-last.com](http://www.duro-last.com)