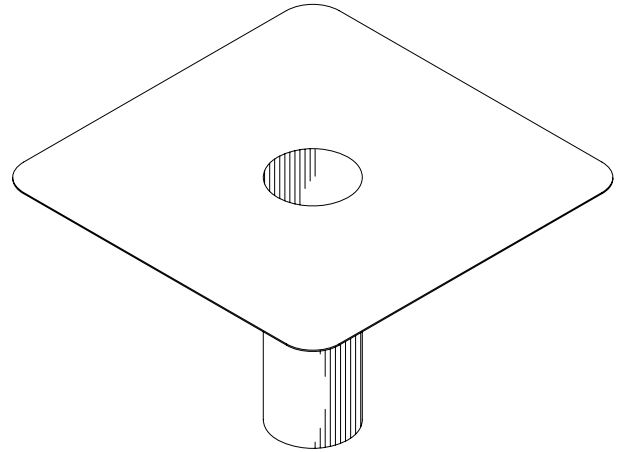


PRODUCT DATA SHEET

DURO-LAST DRAIN BOOTS

Description:

Duro-Last® patented Prefabricated Drain Boots (available in white, gray, and tan colors) are fabricated from a high tenacity low-shrink weft-inserted 18 x 14, 1000 Denier polyester fabric that has been coated with a proven thermoplastic alloy. Duro-Last® Drain Boots may be used for all circular roof drains and are especially useful in re-roof applications. Round drain boots are manufactured from Duro-Last® roofing membrane and are furnished by Duro-Last®, Inc. The sleeve is a different color than the base to differentiate between a drain boot and a pipe stack. The base color is the "order color" and matches the roof deck material. All drain boots are prefabricated 12" (305 mm) in depth. Special orders are available upon request.



Installation:

Sealant should first be applied to the outside of the drain boot before it is inserted into the drain pipe. Once inserted, the drain boot shall be heat-welded (hot-air) to the field membrane. A pair of expandable composite drain rings (CDR) should then be installed as low into the drain boot as possible, with a minimum depth of 6-inches (152 mm). Sealant and CDRs are to be installed at the same depth in the drain (See detail 2020).

NOTE: The deck membrane should be secured with Duro-Last® fasteners and distribution plates. Fastener spacing should be the same as the deck membrane, max. 18-inches (456 mm), and no less than one fastener and plate per drain boot.

Available in the following Sizes

Drain Diameter I.D.	Sleeve Diameter	Base (Skirt)
2" (51 mm)	1-7/8" (48 mm)	24" (.61 m) x 24" (.61 m)
2.5" (64 mm)	2-1/4" (57 mm)	24" (.61 m) x 24" (.61 m)
3" (76 mm)	2-7/8" (73 mm)	24" (.61 m) x 24" (.61 m)
3.5" (89 mm)	3-1/4" (83 mm)	24" (.61 m) x 24" (.61 m)
4" 102 mm)	3-7/8" (99 mm)	24" (.61 m) x 24" (.61 m)
4.5" (115 mm)	4-1/4" (108 mm)	24" (.61 m) x 24" (.61 m)
5" (127 mm)	4-7/8" (124 mm)	24" (.61 m) x 24" (.61 m)
5.5" (140 mm)	5-1/4" (134 mm)	24" (.61 m) x 24" (.61 m)
6" (152 mm)	5-7/8" (150 mm)	24" (.61 m) x 24" (.61 m)
6.5" (165 mm)	6-1/4" (159 mm)	24" (.61 m) x 24" (.61 m)
7" (178 mm)	6-7/8" (175 mm)	24" (.61 m) x 24" (.61 m)
7.5" (191 mm)	7-1/4" (184 mm)	24" (.61 m) x 24" (.61 m)
8" (203 mm)	7-7/8" (200 mm)	24" (.61 m) x 24" (.61 m)

For more information on these and other Duro-Last Products, contact the Duro-Last Engineering Services Department.

E-Mail: engineering@duro-last.com

"Duro-Last" and the interlocking "DL" are registered marks owned by Duro-Last Roofing, Inc. October 2005



Duro-Last Roofing, Inc.
525 Morley Drive
Saginaw, MI 48601
Ph: 1-800-248-0280
Fax: 1-800-432-9331
www.duro-last.com