

# PRODUCT DATA SHEET

## DURO-LAST AUGER FASTENER

### Description:

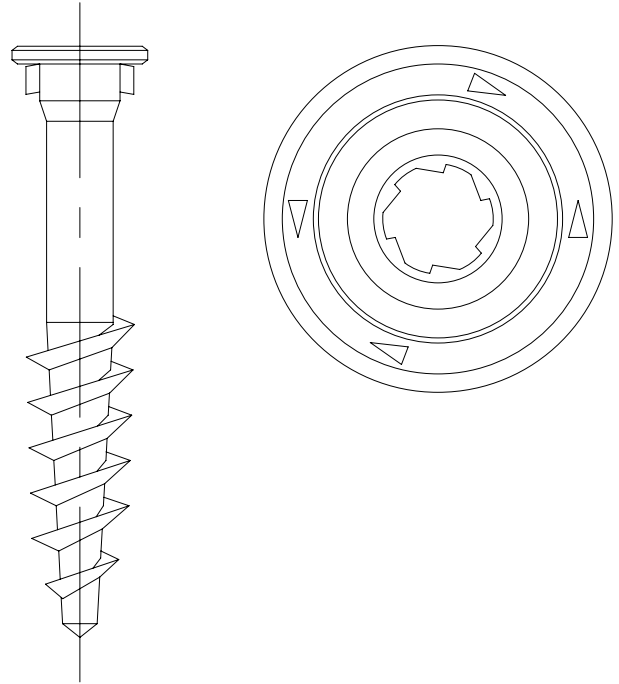
The Duro-Last Auger Fasteners are made from glass-filled nylon with an internal square drive. A specially designed plate and fastener combination is manufactured with one way tabs on the underside of the fastener head that lock into the ratchet teeth of the 2-inch (52 mm) metal plate. The 2-inch (52 mm) metal plate is manufactured with barbs that maximize membrane holding power. The auger fasteners are designed to attach insulation and roofing membrane to cementitious wood fiber, gypsum, and lightweight concrete decks.

Duro-Last® stocks the auger fastener in various sizes. The smallest available fastener is 2-inches (52 mm) while the largest is 14-inches (356 mm). Fasteners 2"-8" are sold in increments of 0.5 inches (13 mm), in length. Fasteners with lengths greater than 10-inches (254 mm) are available by special order only.

The auger fasteners surpass the FM 4470 specifications and shall be used to fasten both insulation and Duro-Last® membrane.

### Installation:

Pre-drilling is required into gypsum and lightweight concrete decks. Bit size will vary from 7/16" - 9/16" depending on density of the deck. Cementitious wood fiber decking is not to be pre-drilled, although in a recover situation, the existing roofing will require pre-drilling. Auger fasteners must penetrate into the deck 1½-inches, minimum. On Factory Mutual insured projects, minimum penetration is 2-inches.



**Auger Fastener**

Size	Amount/box
2.0 50 mm	500
2.5" 63 mm	500
3.0" 76 mm	500
3.5" 89 mm	500
4.0" 102 mm	500
4.5" 114 mm	500
5.0" 127 mm	500
5.5" 140 mm	500
6.0" 152 mm	500
6.5" 165 mm	500
7.0" 178 mm	500
7.5" 190 mm	500
8.0" 203 mm	500
8.5" 216 mm	250
9.0" 228 mm	250
10.0" 254 mm	250

**Metal Plate**

Size	Amount/box
2.0 50 mm	500

For more information on these and other Duro-Last Products, contact the Duro-Last Engineering Services Department.

E-Mail: [engineering@duro-last.com](mailto:engineering@duro-last.com)

"Duro-Last" and the interlocking "DL" are registered marks owned by Duro-Last Roofing, Inc. October 2005



Duro-Last Roofing, Inc.  
525 Morley Drive  
Saginaw, MI 48601  
Ph: 1-800-248-0280  
Fax: 1-800-432-9331  
[www.duro-last.com](http://www.duro-last.com)